

EasyDose G2 Lite

The next generation



**Liquid Nitrogen Injection
simplified with user-friendly
universal language symbols.**

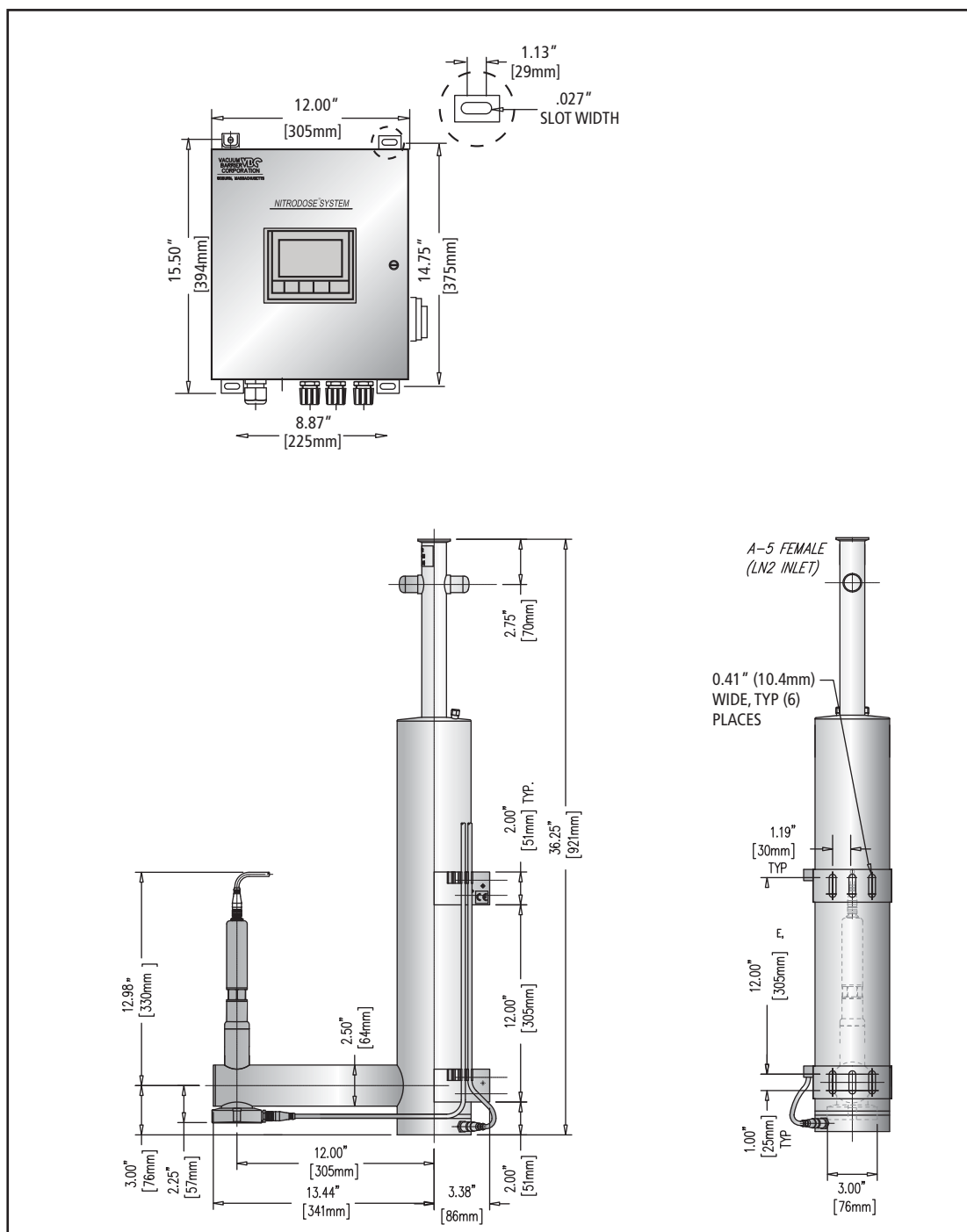
Features

- Discrete dosing up to 450 CPM
- Siemens S7-1200 PLC platform
- Minimum dose duration 25ms
- NEMA stainless steel 4X PLC control panel
- Siemens KTP 600 4" Touchscreen
- Automatic synchronization
- No container/no dose function
- Single dose capability for lab testing
- Universal language symbol
- Accurate dose weight +/- 3%
- Self-monitored with alarm outputs
- Maximum direct LN2 feed pressure 22 psi (1.5 bar)
- High cycle life electronic dosing valve
- Lowest dosing pressure 0.3 psi (0.02 bar)
- Self-generating N2 purge
- Sub-cooled LN2 to improve dosing accuracy
- Optional CIP protection against freeze-ups

VACUUM BARRIER VBC
CORPORATION

Liquid Nitrogen Handling Specialists Since 1958

EasyDose G2 Lite



VACUUM BARRIER VBC
CORPORATION

4 Barten Lane, Woburn, MA 01801

Tel 1-781-933-3570

Fax 1-781-932-9428

email: sales@vacuumbarrier.com

www.vacuumbarrier.com