

EasyDose G2

The next generation

Available with standard or low-profile dosing package



Standard Profile
Electric Valve

Low-Profile
Pneumatic Valve



Liquid Nitrogen Injection system named for its simplicity of installation and operation.

Features

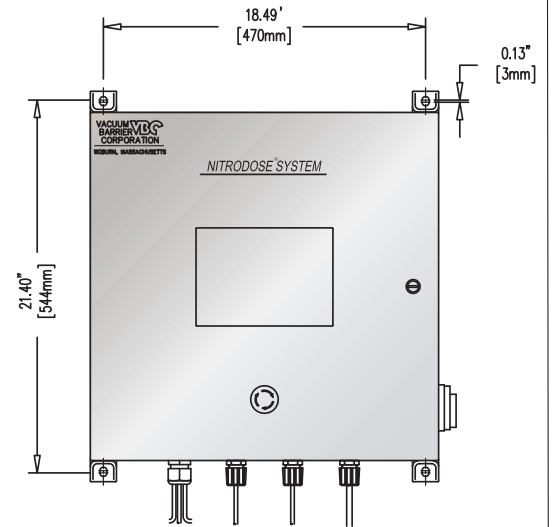
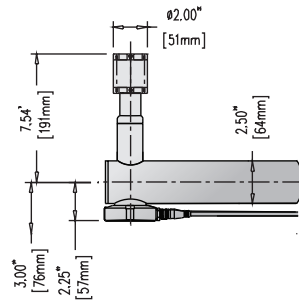
- Discrete dosing speed up to 450 CPM and continuous stream thereafter
- Siemens S7-1200 or Allen Bradley ML 1100 PLC platforms
- Minimum dose duration, 25ms
- Smartsync Technology
- Siemens KTP 600 or Allen Bradley Panel View 600 Touchscreen
- Automatic synchronization with speed and dose compensation
- Integrated Ethernet
- Five recipe storage
- Five on-board languages
- Accurate to +/- 3% dose weight
- Maximum direct LN₂ feed pressure, 22 psi (1.5 bar)
- Self-monitored with alarm outputs
- High cycle-life electric dosing valve
- Lowest dosing pressure 0.3 psi (0.02 bar)
- Self-Generating N₂ purge
- Sub-cooled LN₂ to improve dosing accuracy
- Optional CIP protection against freeze-ups
- Optional 3-D dose dispersion technology
- Optional low-profile pneumatic valve
- Optional dosing software for in-line fillers/cappers

**VACUUM
BARRIER VBC**
CORPORATION

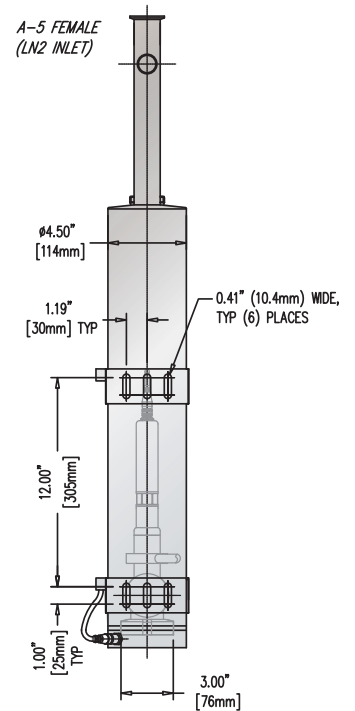
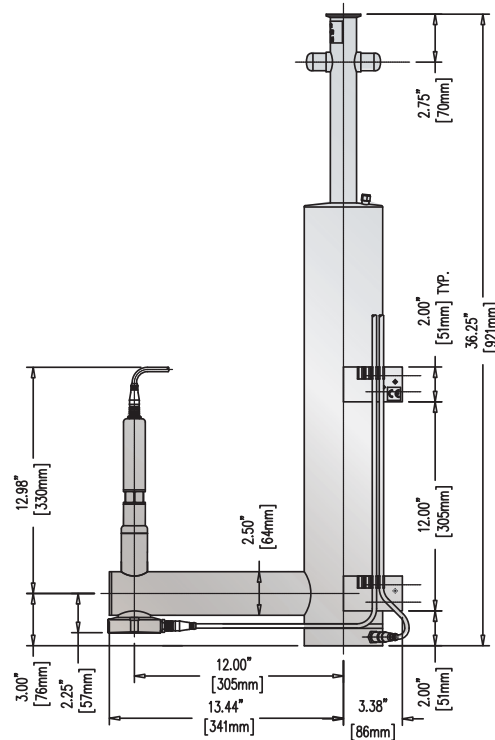
Liquid Nitrogen Handling Specialists Since 1958

EasyDose G2

Low-Profile Pneumatic Valve



Standard Profile Electric Valve



VACUUM BARRIER VBC
CORPORATION

4 Barten Lane, Woburn, MA 01801, USA

Tel +01 781 933 3570

Fax +01 781 932 9428

email: sales@vacuumbarrier.com

www.vacuumbarrier.com